



ARCHITECTURAL, DESIGNER, BUILDER HARDWARE

CONTENTS

01	Entrance Handlesets & Lever Plate Entrance Handlesets	03
02	Multipoint Lock Gear and Strike Plate	10
03	Multipoint Lock Entrance Handlesets	12
04	Mortise Handle Entrance Set	15
05	Rosette Lever	18
06	Rosette Knob	21
07	European Style Interior Lever Set	22
08	Door Hardware	27
09	Dead Bolt	28
10	Closet Hardware	31

FINISH CODES

PVD	Polished Brass	02
US3	Polished Brass	
US5	Antique Brass	
US10B	Oil Rubbed Bronze	
US15	Satin Nickel	
US15A	Pewter	
US19	Dark Black	
US26	Polished Chrome	
US26D	Dull Chrome	
US32D	Stainless Steel	
US5/US3	Split Finish, Antique Brass/Polished Brass	



US3

Polished Brass



US5

Antique Brass



US10B

Oil Rubbed Bronze



US15

Satin Nickel



US15A

Pewter



US19

Dark Black



US26D

Dull Chrome

STRONG & UNBREAKABLE

ENTRANCE

HANDLESETS & LEVER PLATES

ALL GRIP HANDLESETS come with a heavy duty 2-3/8" and 2-3/4" fixed square deadbolt latch and thumb latch. Through years of experience and constant improvements, we ensure our product's quality and durability will meet the highest home builders' standard for the North American market.

We also own a Lock Cylinder Factory which manufactures all kinds of Lock Cylinders. We specialize in CMK - Construction Master Key, MK - Master Key and KA - Key Alike System, which have already been widely used in the North American market.

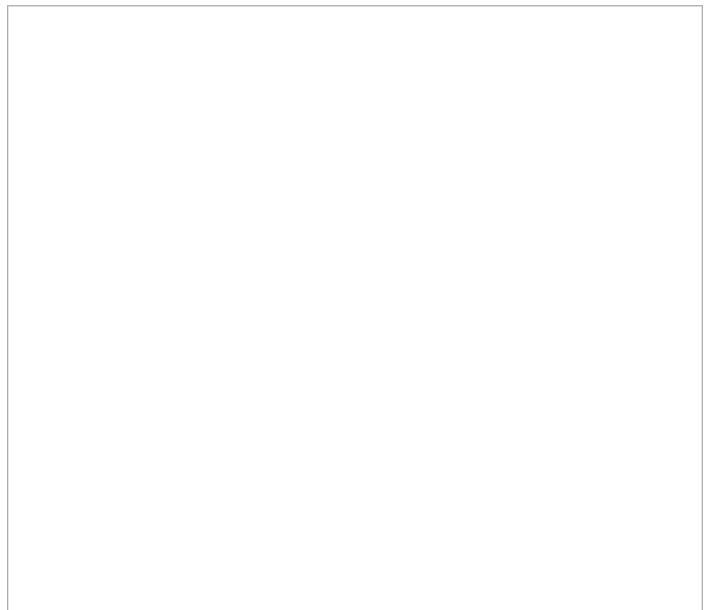
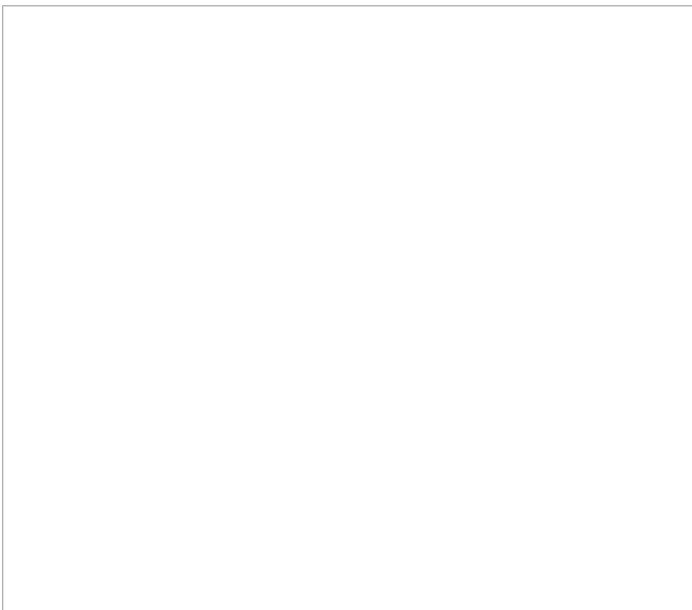
Strongly built, heavy duty, and specially designed, Entrance Handle Set Accessories include the four items below:



All these handle set parts, the Spindle and the Heavy duty latches, have been modified and improved by our own manufacturing and plating facilities, such that their rare occasion for returns have not recurred over the past year.

1998

PVD	Polished Brass	US15A	Pewter
US3	Polished Brass	US19	Dark Black
US5	Antique Brass	US26D	Dull Chrome
US10B	Oil Rubbed Bronze	US5/US3	Split Finish <i>(Antique Brass/Polished Brass)</i>
US15	Satin Nickel		



2003

- PVD** Polished Brass
- US10B** Oil Rubbed Bronze
- US15** Satin Nickel
- US26D** Dull Chrome



2005

- | | |
|--------------------------------|--------------------------|
| PVD Polished Brass | US19 Dark Black |
| US5 Antique Brass | US26D Dull Chrome |
| US10B Oil Rubbed Bronze | |
| US15 Satin Nickel | |
| US15A Pewter | |



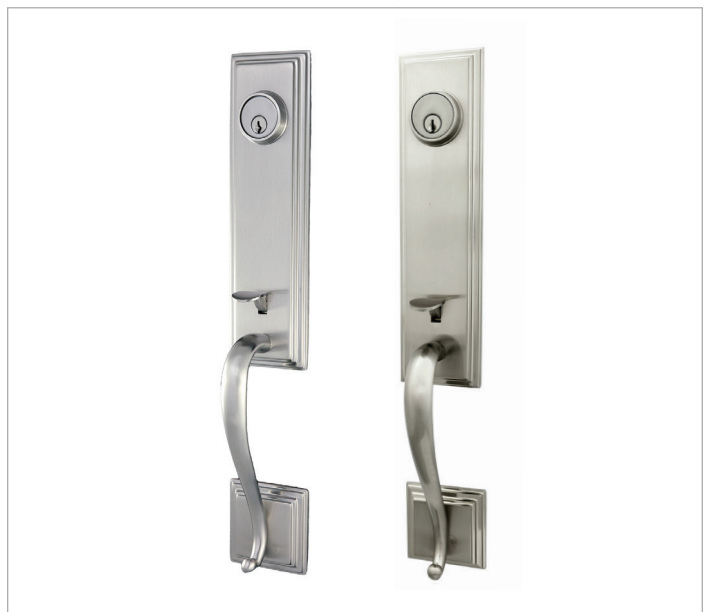
2006

- | | |
|--------------------------------|--------------------------|
| PVD Polished Brass | US19 Dark Black |
| US5 Antique Brass | US26D Dull Chrome |
| US10B Oil Rubbed Bronze | |
| US15 Satin Nickel | |
| US15A Pewter | |



2007

- | | |
|--------------------------------|------------------------|
| PVD Polished Brass | US19 Dark Black |
| US5 Antique Brass | |
| US10B Oil Rubbed Bronze | |
| US15 Satin Nickel | |
| US15A Pewter | |



2008

- PVD** Polished Brass
- US26D** Dull Chrome



2009

- US10B** Oil Rubbed Bronze
- US15** Satin Nickel
- US15A** Pewter



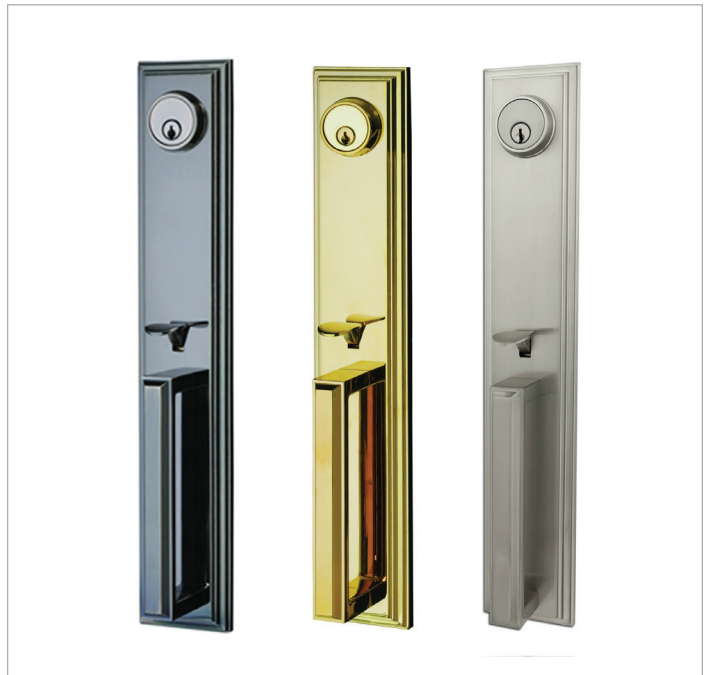
2010

- US10B** Oil Rubbed Bronze
- US19** Dark Black
- US15** Satin Nickel
- US15A** Pewter



2011

- PVD** Polished Brass
- US15A** Pewter
- US10B** Oil Rubbed Bronze
- US19** Dark Black
- US15** Satin Nickel



2013

- | | |
|--------------------------------|------------------------|
| PVD Polished Brass | US15A Pewter |
| US10B Oil Rubbed Bronze | US19 Dark Black |
| US15 Satin Nickel | |



2015

- | | |
|--------------------------------|--------------------------|
| PVD Polished Brass | US15 Satin Nickel |
| US10B Oil Rubbed Bronze | US15A Pewter |



2016

- | | |
|--------------------------------|------------------------|
| PVD Polished Brass | US15A Pewter |
| US10B Oil Rubbed Bronze | US19 Dark Black |
| US15 Satin Nickel | |



2017

- | | |
|--------------------------------|------------------------|
| US10B Oil Rubbed Bronze | US19 Dark Black |
| US15 Satin Nickel | |
| US15A Pewter | |



LPL2018 Long Plate

US10B Oil Rubbed Bronze

US15 Satin Nickel

US15A Pewter

US19 Dark Black

All Lever Plate Entrance Handlesets measured from the center of the lock cylinder hole to the center of the Lever latch hole, have a standard distance of 5 -1/2 inches. Hence, all Lever Plate Entrance Handlesets can use any one of three types of latches:

- 1) Standard latches
- 2) Mortise box latch system
- 3) Multipoint latch system

new



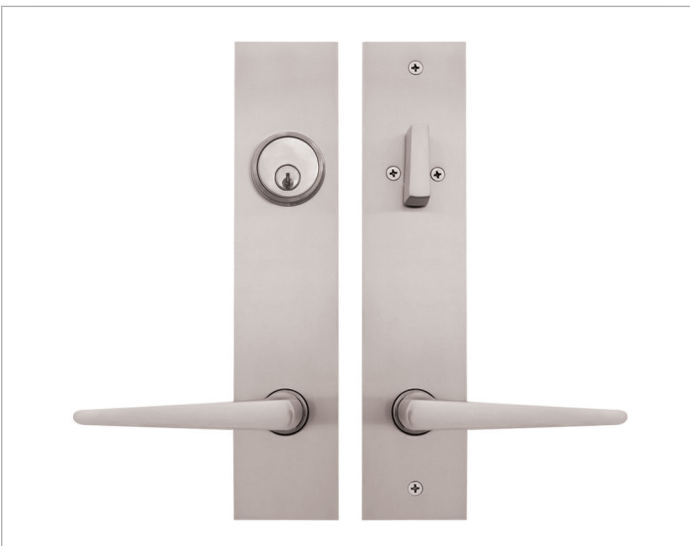
LPL2016 Long

US10B	Oil Rubbed Bronze	AVAILABLE LEVER PLATE
US15	Satin Nickel	L8820 Standard
US15A	Pewter	L3808 Upgrade
US19	Dark Black	

LPL2011 Long

US10B	Oil Rubbed Bronze	AVAILABLE LEVER PLATE
US15	Satin Nickel	L8820 Upgrade
US15A	Pewter	L3808 Standard
US19	Dark Black	

All Lever Plate Entrance Handlesets measured from the center of the lock cylinder hole to the center of the Lever latch hole, have a standard distance of 5 -1/2 inches. Hence, all Lever Plate Entrance Handlesets can use any one of three types of latches:
1) Standard latches, 2) Mortise box latch system, 3) Multipoint latch system

**SPL2016****SPL2011**

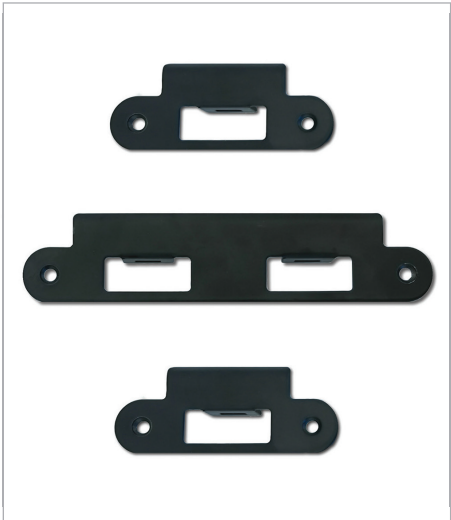
MULTIPOINT

LOCK GEAR & STRIKE PLATE

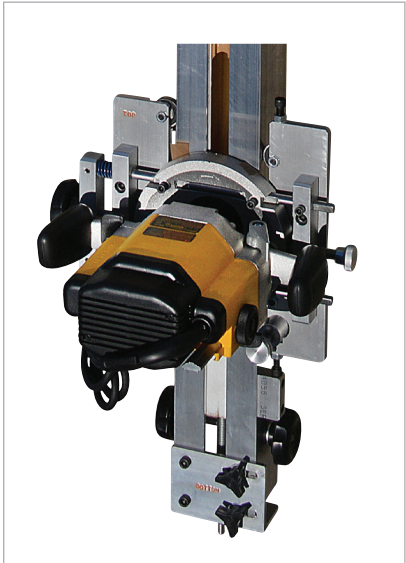
Gear for 7ft and 8ft Door



Strike Plate for Multipoint Lock



Multi Point Router



MULTIPOINT LOCK ENTRANCE HANDLESET

All Lever Plate Entrance Handlesets measured from the center of the lock cylinder hole to the center of the Lever latch hole, have a standard distance of 5 -1/2 inches. Hence, all Lever Plate Entrance Handlesets can use any one of three types of latches:

- 1) Standard latches
- 2) Mortise box latch system
- 3) Multipoint latch system

LPL2011 Long

- | | | |
|--------------|-------------------|------------------------------|
| US10B | Oil Rubbed Bronze | AVAILABLE LEVER PLATE |
| US15 | Satin Nickel | L8820 Upgrade |
| US15A | Pewter | L3808 Standard |
| US19 | Dark Black | |



LPL2016 Long

- | | | |
|--------------|-------------------|------------------------------|
| US10B | Oil Rubbed Bronze | AVAILABLE LEVER PLATE |
| US15 | Satin Nickel | L8820 Standard |
| US15A | Pewter | L3808 Upgrade |
| US19 | Dark Black | |



SPL2011



SPL2016



LPL2018 Long Plate

- US10B** Oil Rubbed Bronze
- US15** Satin Nickel
- US15A** Pewter
- US19** Dark Black



MORTISE

HANDLE ENTRANCE SET

All Lever Plate Entrance Handlesets measured from the center of the lock cylinder hole to the center of the Lever latch hole, have a standard distance of 5 -1/2 inches. Hence, all Lever Plate Entrance Handlesets can use any one of three types of latches:

- 1) Standard latches
- 2) Mortise box latch system
- 3) Multipoint latch system

LPL2011 Long

- | | | |
|--------------|-------------------|------------------------------|
| US10B | Oil Rubbed Bronze | AVAILABLE LEVER PLATE |
| US15 | Satin Nickel | L8820 Upgrade |
| US15A | Pewter | L3808 Standard |
| US19 | Dark Black | |



LPL2016 Long

- | | | |
|--------------|-------------------|------------------------------|
| US10B | Oil Rubbed Bronze | AVAILABLE LEVER PLATE |
| US15 | Satin Nickel | L8820 Standard |
| US15A | Pewter | L3808 Upgrade |
| US19 | Dark Black | |



SPL2011



SPL2016



L2018 Long Plate

- US10B** Oil Rubbed Bronze
- US15** Satin Nickel
- US15A** Pewter
- US19** Dark Black



M3931

- PVD** Polished Brass
- US15A** Pewter



Mortise Lock



ROSETTE

LEVER & KNOBS

AVAILABLE IN SQUARE OR ROUND ROSETTE

All lock set available in:

- Fixed Square Latch
- Drive In Latch
- Fixed Radius Latch
- Four-In-One Drive In Latch

Available Functions:

- Passage
- Privacy
- Dummy
- Entrance

Special Features of WinLy Products

1. Push button and auto-release on privacy (washroom)

Available models:	SR8820	Page 19
	SR3809	Page 19
	3010	Page 19
	3809	Page 20
	3851	Page 20
	3888	Page 21
	8820	Page 21



2. Conceal screw on both sides with push button and auto-release on privacy (washroom)

Available models:	3010	Page 19
	3809	Page 20
	3851	Page 20
	3888	Page 21
	8820	Page 21



SR8820

US10B Oil Rubbed Bronze

US15 Satin Nickel

US15A Pewter

US19 Dark Black

Special Features Square Rosette
Easy to change hands
Push button and Auto Release on privacy function
Non-sag design

Available Functions Entrance
Passage
Privacy
Dummy



SR3809

US10B Oil Rubbed Bronze

US15 Satin Nickel

US15A Pewter

US26 Polished Chrome

US19 Dark Black

Special Features Square Rosette
Easy to change hands
Push button and Auto Release on privacy function
Non-sag design

Available Functions Passage
Privacy
Dummy



3010

US3 Polished Brass

US5 Antique Brass

US10B Oil Rubbed Bronze

US15 Satin Nickel

US15A Pewter

US19 Dark Black

Special Features Concealed Screw
Easy to change hands
Push button and Auto Release on privacy function
Non-sag design



3809

US10B Oil Rubbed Bronze

US15 Satin Nickel

US15A Pewter

US19 Dark Black

Special Features Concealed Screw
 Easy to change hands
 Push button and Auto Release on privacy function
 Non-sag design



3820

US3 Polished Brass

US5 Antique Brass

US10B Oil Rubbed Bronze

US15 Satin Nickel

US15A Pewter

US26D Dull Chrome



3851

US3 Polished Brass

US5 Antique Brass

US10B Oil Rubbed Bronze

US15 Satin Nickel

US15A Pewter

US26D Dull Chrome

Special Features Concealed Screw
 Easy to change hands
 Push button and Auto Release on privacy function
 Non-sag design



3888

- US3** Polished Brass **US15A** Pewter
US5 Antique Brass **US19** Dark Black
US10B Oil Rubbed Bronze **US26D** Dull Chrome
US15 Satin Nickel

Special Features Concealed Screw
 Easy to change hands
 Push button and Auto Release on privacy function
 Non-sag design

**8820**

- US10B** Oil Rubbed Bronze
US15 Satin Nickel
US15A Pewter
US19 Dark Black
US26D Dull Chrome

Special Features Concealed Screw
 Easy to change hands
 Push button and Auto Release on privacy function
 Non-sag design

**6092**

- US3** Polished Brass
US5 Antique Brass
US10B Oil Rubbed Bronze
US15 Satin Nickel
US15A Pewter
US19 Dark Black
US26D Dull Chrome

**6372**

- US3** Polished Brass
US5 Antique Brass
US10B Oil Rubbed Bronze
US15 Satin Nickel
US15A Pewter
US19 Dark Black
US26D Dull Chrome
US5/US3 Split Finish (*Antique Brass/Polished Brass*)



EUROPEAN STYLE INTERIOR LEVER SET

Available functions:

- Passage
- Privacy
- Dummy

M3808 + L3808 (Standard)

US10B Oil Rubbed Bronze

US15 Satin Nickel

US15A Pewter

Available Lever Plate L3808 (Standard)
L8820 (Upgrade)



M3808 + L3808 (Standard) Privacy Set

US10B Oil Rubbed Bronze

US15 Satin Nickel

US15A Pewter

Available Lever Plate L3808 (Standard)
L8820 (Upgrade)



M3808 + L8820 (Upgrade)

US10B Oil Rubbed Bronze

US15 Satin Nickel

US15A Pewter

Available Lever Plate L3808 (Standard)
L8820 (Upgrade)



M3898 + L8820 (Standard)

For Predrilled Door Holes Up to 2 1/8"

US10B Oil Rubbed Bronze

US15 Satin Nickel

US15A Pewter

US19 Dark Black



M3898 + L3808 (Upgrade)

For Predrilled Door Holes Up to 2 1/8"

US10B Oil Rubbed Bronze

US15 Satin Nickel

US15A Pewter



M3812 + L8820 (Standard) Privacy Set**US10B** Oil Rubbed Bronze**US15** Satin Nickel**US15A** Pewter**M3812 + L3808 (Upgrade)****US10B** Oil Rubbed Bronze**US15** Satin Nickel**US15A** Pewter

M3816

US15 Satin Nickel

US15A Pewter

US19 Dark Black



M3818

US10B Oil Rubbed Bronze

US15 Satin Nickel

US15A Pewter

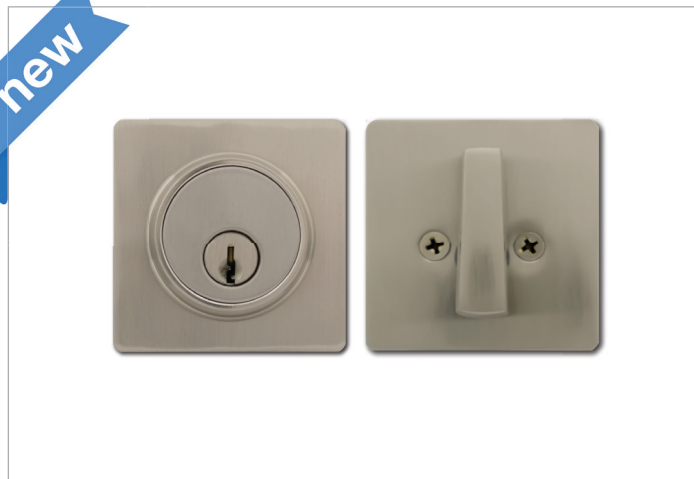


HARDWARE

DEAD BOLT, DOOR, CLOSET

Dead Bolt - SRD101

- US10B** Oil Rubbed Bronze
- US15** Satin Nickel
- US15A** Pewter
- US19** Dark Black
- US26** Polished Chrome



Dead Bolt - D101 / HD101

- PVD** Polished Brass
- US5** Antique Brass
- US10B** Oil Rubbed Bronze
- US15** Satin Nickel
- US15A** Pewter
- US19** Dark Black
- US26D** Dull Chrome
- US5/US3** Split Finish (*Antique Brass/Polished Brass*)



Door Hardware - 3" & 4" Door Bumpers Solid Door Stop

- US3** Polished Brass
- US5** Antique Brass
- US15** Satin Nickel
- US15A** Pewter
- US19** Dark Black



Door Hardware - 3" & 4" Hand Rail Bracket

- US3** Polished Brass
- US15** Satin Nickel
- US15A** Pewter



Door Hardware - Flat Tip Hinge

- US3** Polished Brass
- US5** Antique Brass
- US15** Satin Nickel
- US15A** Pewter
- US19** Dark Black
- US26D** Dull Chrome

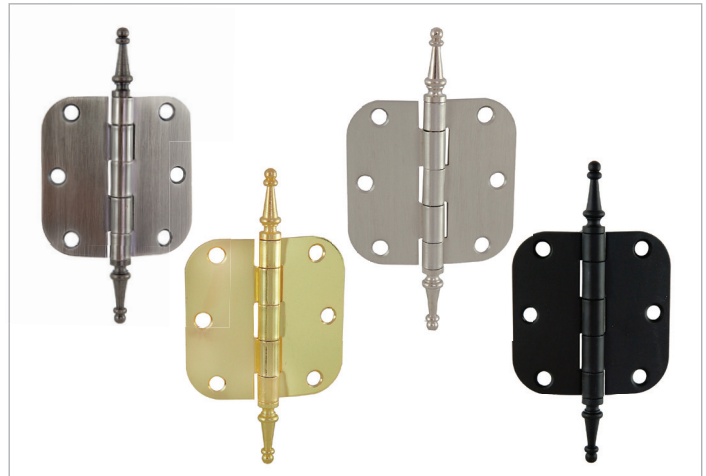
Specification 3" x 3" x 5/8" Radius Corner
3 1/2" x 3 1/2" x 5/8" Radius Corner



Door Hardware - Steeple Tip Hinge

- US3** Polished Brass
- US5** Antique Brass
- US15** Satin Nickel
- US15A** Pewter
- US19** Dark Black
- US26D** Dull Chrome

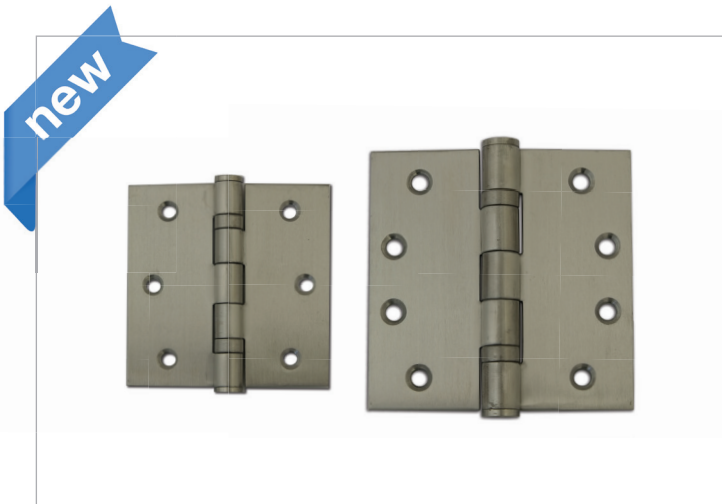
Specification 3" x 3" x 5/8" Radius Corner



Heavy Duty Stainless Steel Flat Tip Ball Bearing Square Hinges

- US15** Satin Nickel
- US15A** Pewter
- US19** Dark Black

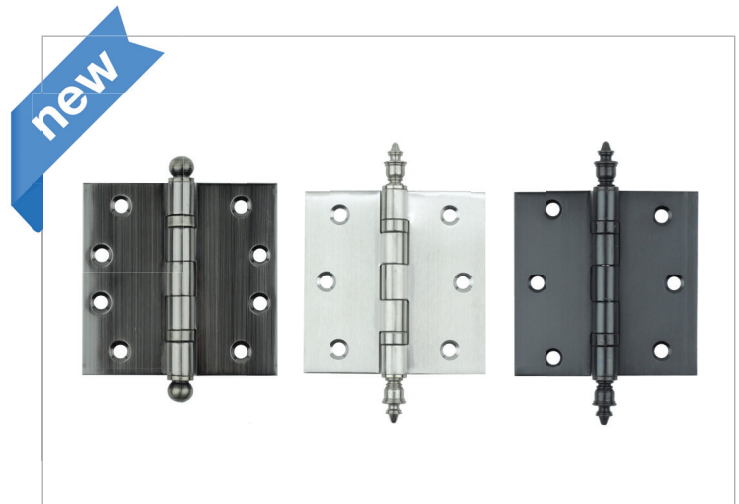
Specification 3 1/2" x 3 1/2" x 2 1/2mm Square Corner
4" x 4" x 3mm Square Corner



Heavy Duty Stainless Steel Steeple Tip Ball Bearing Square Hinges

- US15** Satin Nickel
- US15A** Pewter
- US19** Dark Black

Specification 3 1/2" x 3 1/2" x 2 1/2mm Square Corner
4" x 4" x 3mm Square Corner



Door Hardware - 4" Surface Bolt

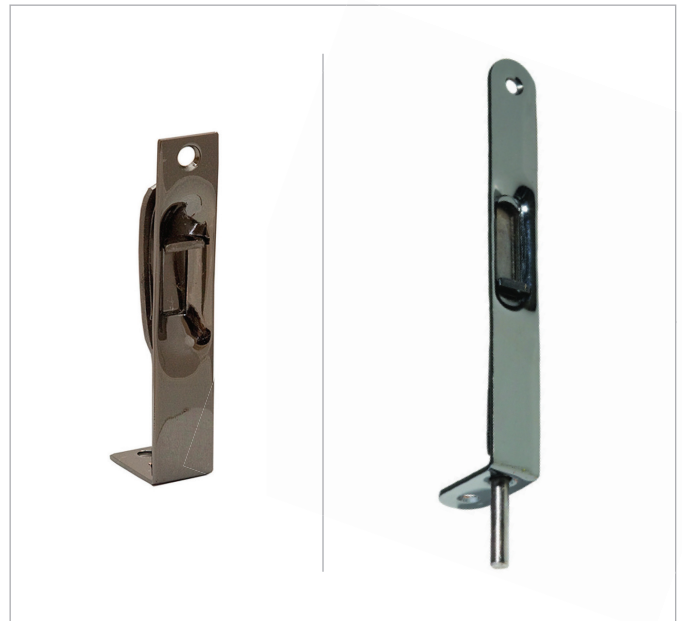
- US3** Polished Brass
- US5** Antique Brass
- US15** Satin Nickel
- US15A** Pewter
- US19** Dark Black
- US26D** Dull Chrome



Door Hardware - 4" Flush Bolt & 6" Flush Bolt

- US3** Polished Brass
- US5** Antique Brass
- US15** Satin Nickel
- US15A** Pewter
- US19** Dark Black
- US26D** Dull Chrome

- US3** Polished Brass
- US15** Satin Nickel
- US15A** Pewter
- US19** Dark Black



Door Hardware - Bullet Ball Catcher

- US3** Polished Brass
- US15** Satin Nickel
- US15A** Pewter
- US19** Dark Black



Door Hardware- 160° and 180° Door Viewer

- US3** Polished Brass
- US15** Satin Nickel
- US15A** Pewter
- US19** Dark Black



Door Hardware - C Clip

Finish Zinc



Door Hardware - Door Closer

UL, ULC Approved

Size #2, #3



Closet Hardware - Closet Rod & Closet Rod Support

Finish White

Size 18" x 30" 72" x 96"
30" x 48" 96" x 120"
48" x 72"



Door Pull Bar 4ft & 6ft and Heavy Duty Ball Catcher

Finish Satin Nickel

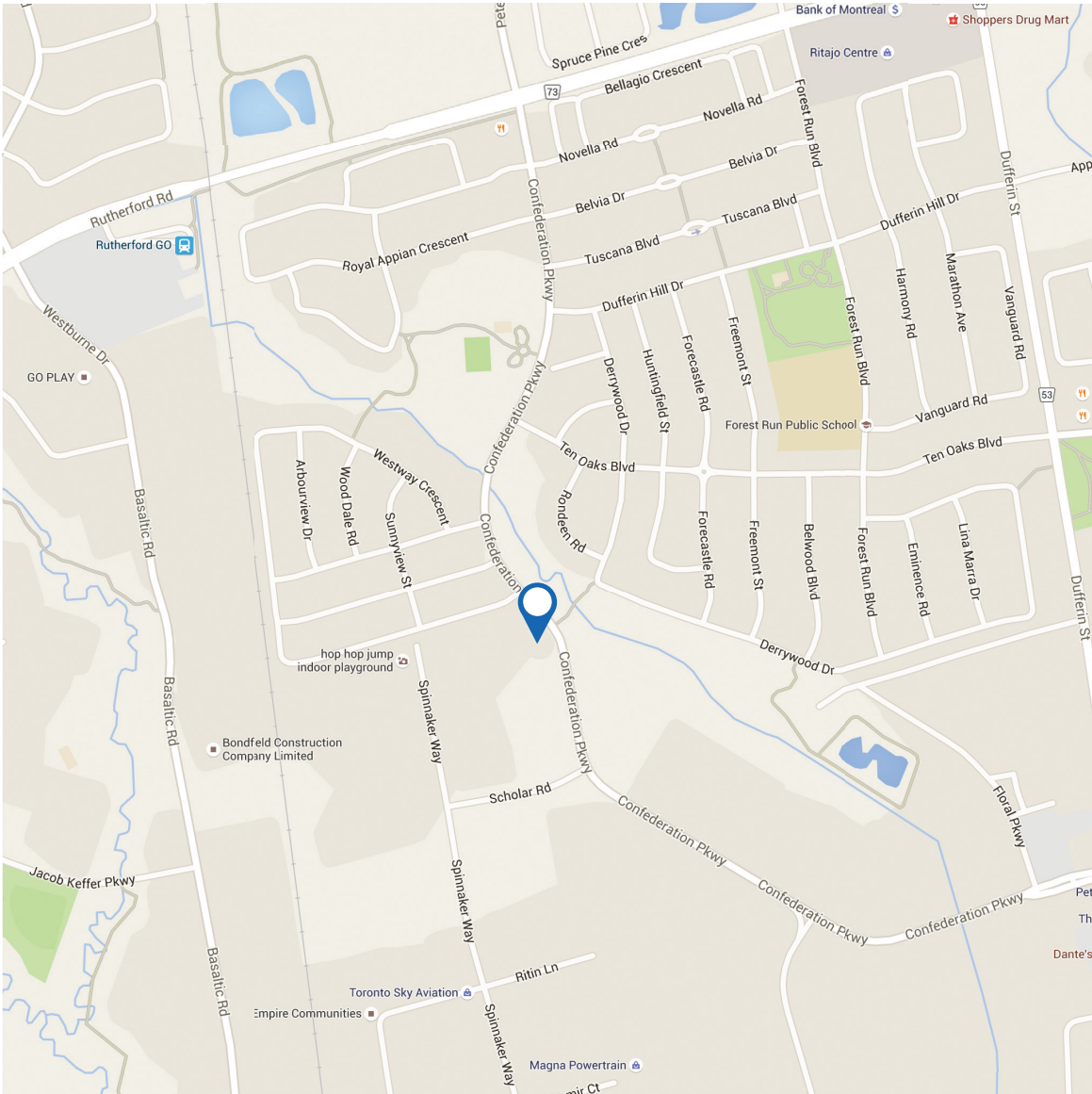
Size 4ft and 6ft (Pull Bar)





WINLY LOCK COMPANY

ARCHITECTURAL, DESIGNER, BUILDER HARDWARE



399 Confederation Parkway, Unit 1
Concord ON L4K 4S1
T: 905.660.7831
F: 905.660.0876

winlylockcompany@gmail.com

www.winlylockcompany.com